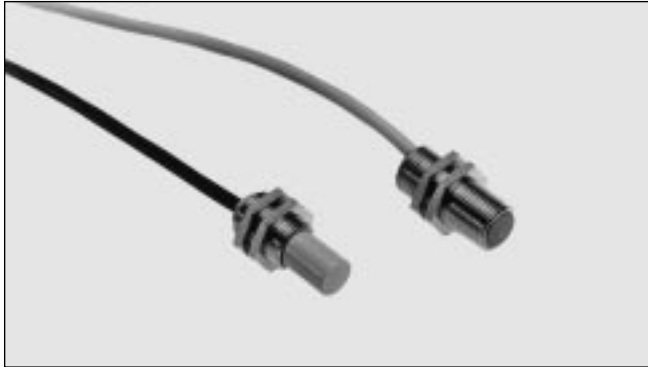


Proximity Sensors Inductive Nickel-plated Brass Housing Types DJ, M 14, PG 21, Namur

CARLO GAVAZZI



- Nickel-plated brass housing, cylindrical
- Diameter: M 14, PG 21
- Sensing distance: 2 to 6 mm
- Power supply: 8.2 VDC (Namur)
- Output: Namur (DIN 19 234)
- 2 m cable

Product Description

Proximity switch in M 14 and PG 21 nickel-plated brass housings, for flush mounting and non-flush mounting. Amplifier relay SD ... available. Delivered with 2 m cable.

Ordering Key

DJ 2 G

Type: Inductive proximity switch
Rated operating dist. (mm)
Housing material

Type Selection

Housing diameter	Rated operating dist. (S _n)	Ordering no. Namur
M 14	2 mm ¹⁾	DJ 2 G
M 14	5 mm ²⁾	DJ 5 G
PG 21	6 mm ¹⁾	DJ 6 G

¹⁾ For flush mounting in metal
²⁾ For non-flush mounting in metal

Specifications

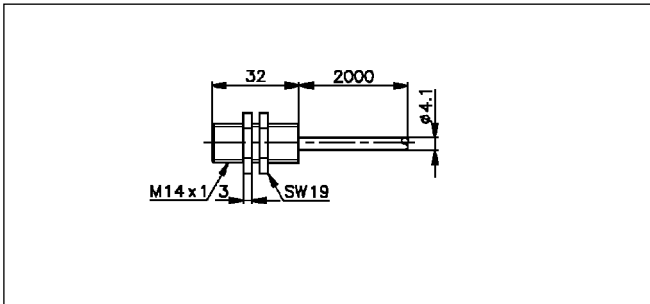
Rated operational volt. (U_e) (U_B)	8.2 VDC 7 to 9 VDC (6 to 35 VDC, all specifications not observed in extended supply range)	Usable operating dist. (S_u)	DJ 2 G 0.8 x S _r ≤ S _u ≤ 1.2 x S _r DJ 5 G 0.9 x S _r ≤ S _u ≤ 1.1 x S _r DJ 6 G 0.8 x S _r ≤ S _u ≤ 1.2 x S _r
Self-inductance	≤ 300 mH	Ambient temperature Operating	DJ 2 G -20° to +60°C (-4° to +140°F) DJ 5 G -25° to +70°C (-13° to +158°F) DJ 6 G -20° to +60°C (-4° to +140°F)
Self-capacitance	≤ 120 nF	Storage	DJ 2 G -25° to +70°C (-13° to +158°F) DJ 5 G -30° to +80°C (-22° to +176°F) DJ 6 G -25° to +70°C (-13° to +158°F)
No-load supply current (I_o)	Activated: ≤ 1 mA Not activated: DJ 2 G ≥ 3 mA DJ 5 G ≥ 2.2 mA DJ 6 G ≥ 2.2 mA Max.: 9.35 mA	Degree of protection	IP 67 (Nema 1, 3, 4, 6, 13)
Protection	None (DJ10 G: reverse polarity)	Housing material	Body: Nickel-plated brass Front: Blue ABS Back: Blue ABS
Transient voltage	≤ 1 kV/0.5 J (prepared)	Cable	DJ 2 G 2 m, 2 x 0.25 mm ² DJ 5 G 2 m, 2 x 0.25 mm ² DJ 6 G 2 m, 2 x 0.50 mm ² grey PVC, oil proof
Frequency of operating cycles (f)	DJ 2 G 2000 Hz DJ 5 G 1000 Hz DJ 6 G 1000 Hz		
Assured operating dist. (S_a)	DJ 2 G 0 to 1.44 mm DJ 5 G 0 to 4.05 mm DJ 6 G 0 to 4.32 mm		
Repeat accuracy (R)	≤ 10%		
Hysteresis (H) (Differential travel)	Dependent on amplifier relay		



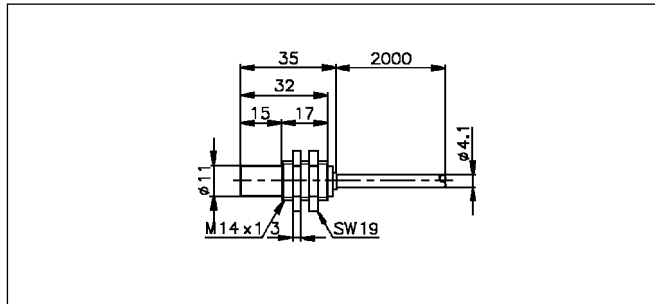
Specifications (cont.)

Weight	DJ 2 G	80 g	Tightening torque	DJ 2 G	17.5 Nm
	DJ 5 G	80 g		DJ 5 G	17.5 Nm
	DJ 6 G	210 g (cable included)		DJ 6 G	175.0 Nm
			CE-marking	Yes	

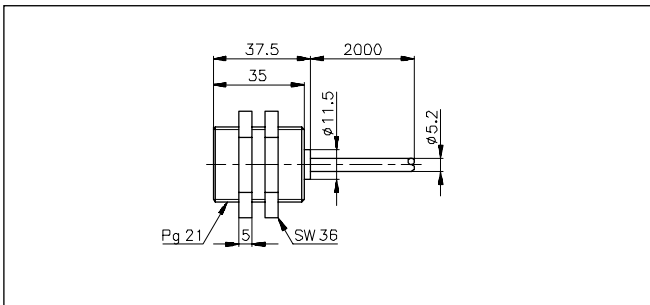
Dimensions



DJ 2 G



DJ 5 G



DJ 6 G

Wiring Diagrams

Refer to "Wiring Diagrams",
Technical information.

Installation Hints

Refer to "Installation Hints",
Technical information.

Amplifier Relays, Namur

> SD 110/210.
> SD 170/270.

Refer to Technical Information.